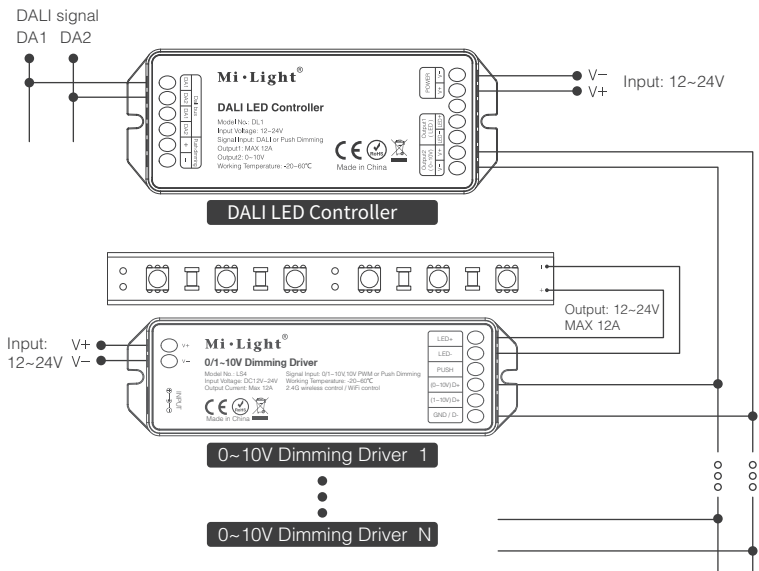


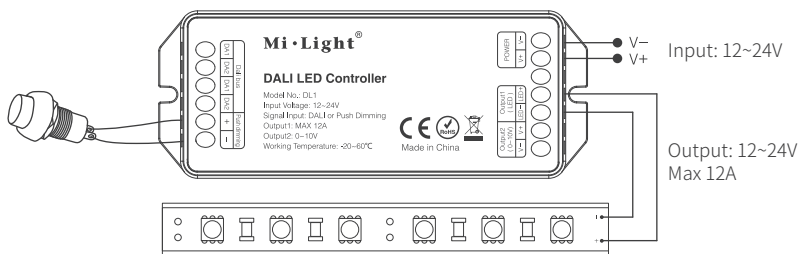


## Support DALI signal transmitting to 0~10V Control, Wiring diagram as below:



## Push Dimming Wiring Diagram

Dimming Method: Short press to turn on/off the light; long press to change the brightness.



## Installation Notice:

1. Pls read the wiring diagram carefully before installation
2. Pls down the wire connector, then insert the plug in the cable connection;Pls check if the cable is stable after connection.
3. Pls check the cable connection before switching on the power.
4. Pls keep the good ventilation condition to lengthen the lifespan of the controller.



Made in China