

Specification

Prepared	Checked	Approved	Accepted	Confirmed	Approved



Model: ☉ RD0260AC-C

5000*12, 300pcs 5050 SMD LEDs, bare board series, constant voltage, 24Vdc, RGBWW LED flex strip

Picture:



Features:

- ☉ New ID design, simple and elegant, highly textured;
- ☉ Integrated 5050 RGBWW SMD LED, good light-mixing effect;
- ☉ ERP standard for white light, good color uniformity;
- ☉ Double-sided copper PCB, guaranteeing low attenuation;
- ☉ Anti-oxidation by silver for soldering pad;
- ☉ CE, RoHS, UL compliant.
- ☉ This product should be used by controller

Applications:

- ☉ Suitable for hotel, shopping mall, home, cabinet, show frame, etc. as main lighting, indirect lighting, cove lighting, contour lighting, decorative lighting, etc.

Warranty:

- ☉ 3 years or 13,000 hours, whichever comes first.

Optical and Electrical Parameters:

P/N	LED Color	CCT (K) WL(nm)	CRI	SDCM	Beam Angle (°)	Luminous Flux (lm/m)	Luminous Efficacy (lm/w)	Working voltage (VDC)	Working current(mA)		Power(w)	
									1m[39.6 7in]	5m[196 .85in]	1m[39 .67in]	5m[196 .5in]
RD0260 AC-C	Red	620-625	--	--	≥115	129	30	24	180	833	4.3	20.0
	Green	525-530	--	--		301	70		180	833	4.3	20.0
	Blue	465-470	--	--		73	17		180	833	4.3	20.0
	Warm White	2400K	≥80	--		398	83		200	875	4.8	21.0
	Pure White	6500K	≥80	--		480	100		200	875	4.8	21.0

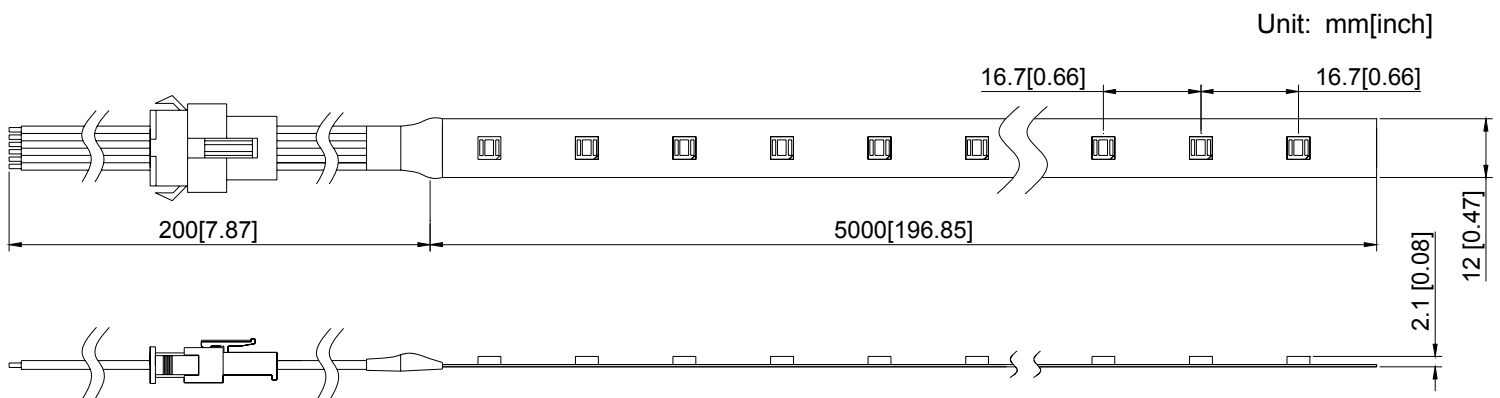
Others:

P/N	IP Grade	Operating Temp (°C)	Storage Temp (°C)	Standard length (m)	Max. cascading length (m)	LED Qty (pcs/m)	Weight (g/m)
RD0260AC-C	IP20	-25~+60	-25~+70	5	5	60	30

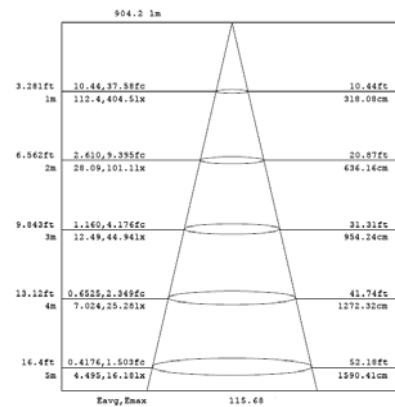
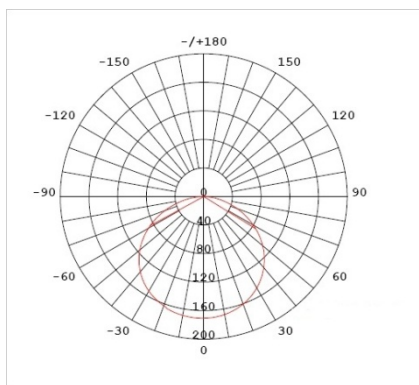
Notes:

- ① Testing environment temperature: 25±2°C [77±3.6°F];
- ② The actual data of each single product may differ from above typical data which are subject to change without prior notice;
- ③ The above "--" means the parameters are not required temporarily.
- ④ The current and power in the above table are the corresponding values for each luminous color single road work
- ⑤ The product works through the controller, and when RGB works simultaneously, the maximum power is 12.9w/m..

Profile Drawings:

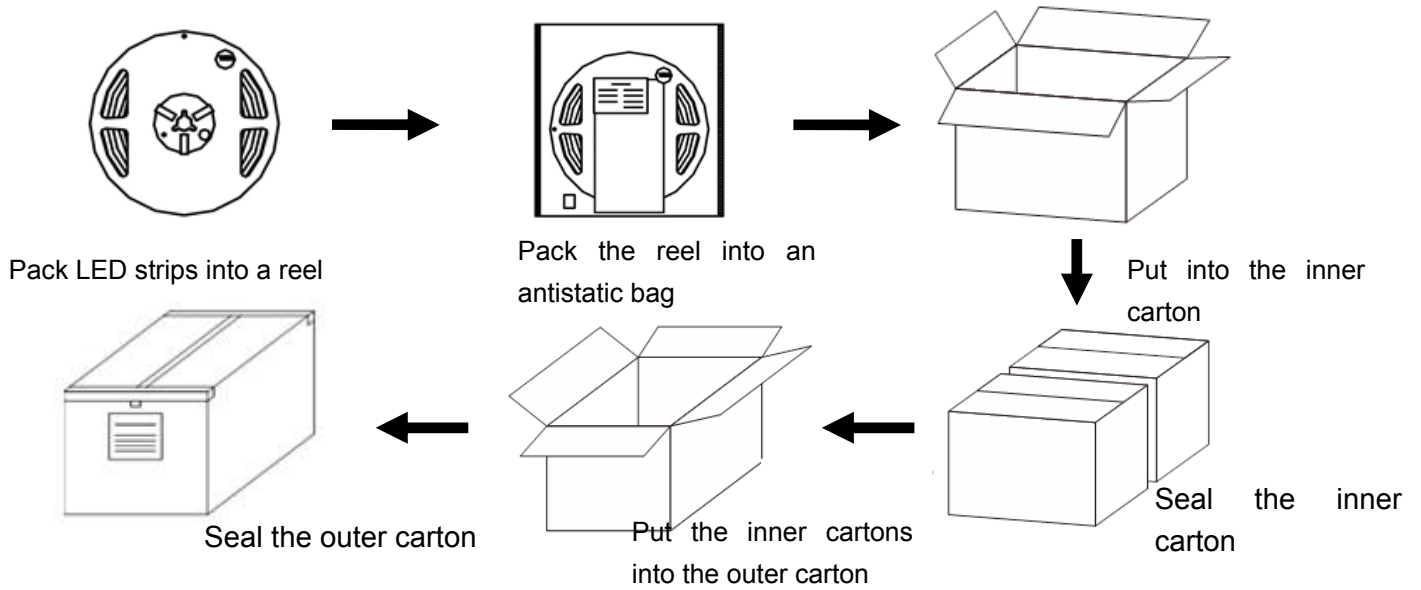
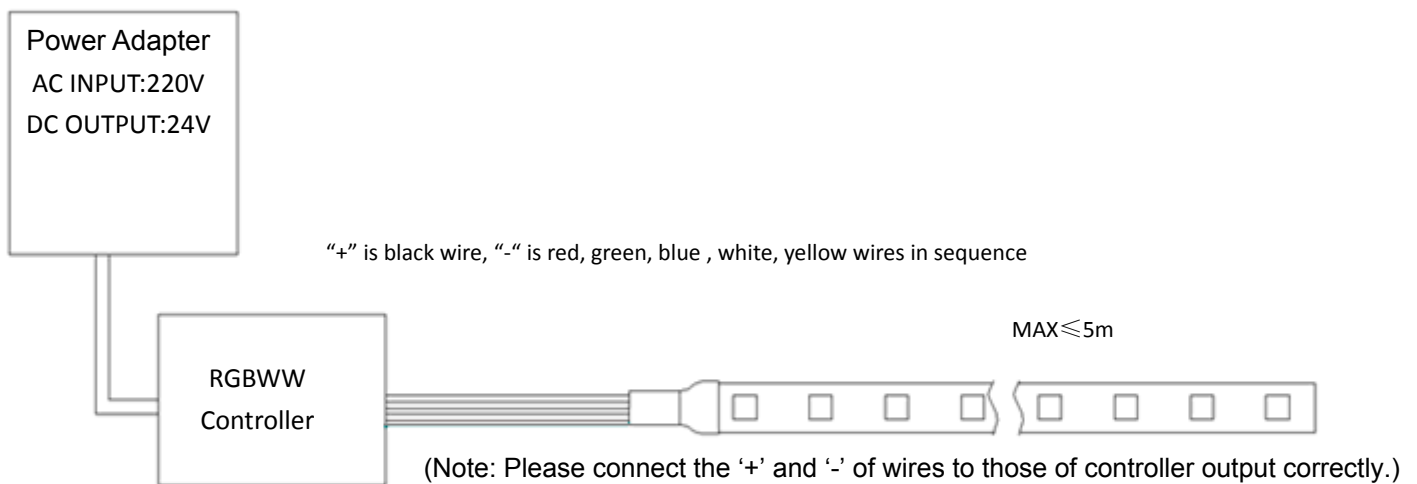


Light Distribution Curve/Isolux Diagram:



Packaging Information:

P/N	Qty (m/reel)	Qty (m/carton)	Total Qty (m)	Total weight (Kg)	Outer carton size (mm)		
					length	width	height
RD0260AC-C	5	60	120	5.4	398	256	238

Packaging Diagram:

Connection Instruction:


Parts & Tools:

Product Spare Parts

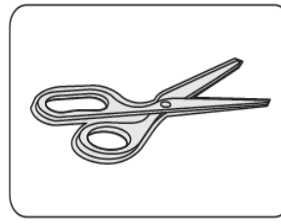


LED Strip

Self-provided Tools

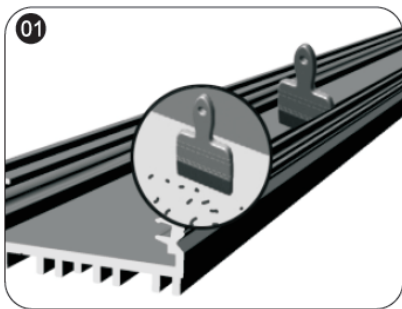


Electrical Drill & Drilling bit

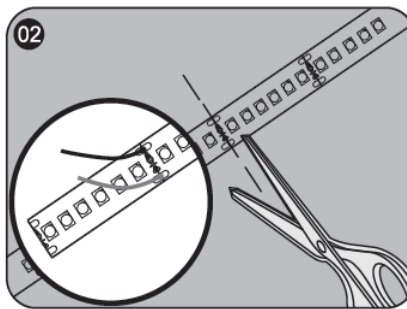


Scissors

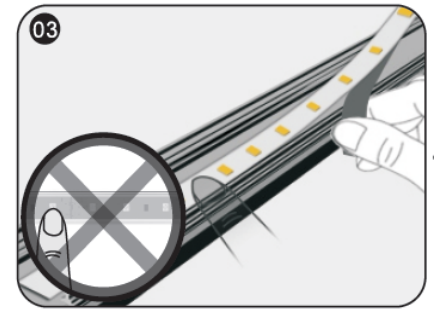
Installation Steps & Cautions:



- Make sure the mounting surface is clean before installation;



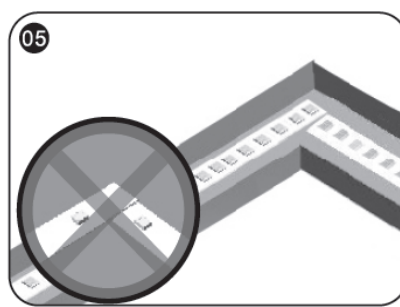
- Calculate the needed length and cut off the extra length along cutting mark if necessary; if need to add wires, please weld them at the next location with printed mark.



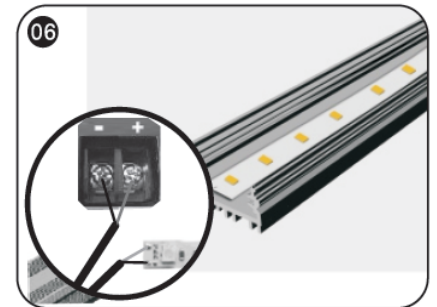
- While sticking strips, peel off the release paper of the tape step by step. Don't peel off all release paper at a time to avoid getting your strip in a mess.
△Notes: No pressing the bead!



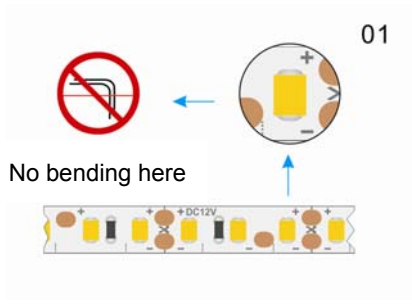
- Stick Mylar tape to isolate the cutting position from the bottom of profile inner slot to avoid short-circuit;



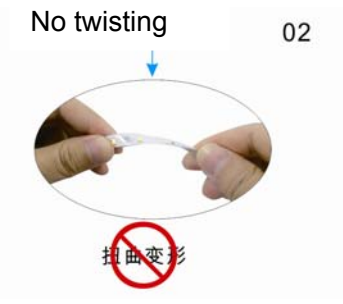
- The installation at the corner is shown as the above figure.
△Notes: No bending it into right angle; No twisting it to stick on the mounting surface.



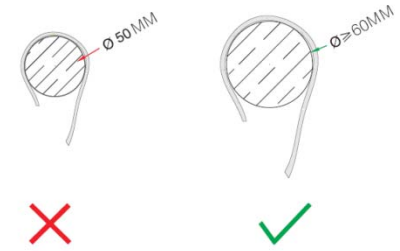
- Connect strip wires to the output terminal of controller, and connect controller to the power supply, and dispose with waterproof, insulation, short-circuit and anti-corrosion protection at both the wire joints and the cut section of your strip (if any)



- ⊙ No bending the strip at the position of LED



- ⊙ No twisting the



- ⊙ No winding an object with a diameter <5cm

Thoubleshooting:

Malfunctions	Possible Causes	Solutions
All LEDs don't work	1. The power supply did not connect to power grid.	Power on
	2. No electricity due to short-circuit of external power supply.	Remove the malfunction caused by short-circuit, power on again.
	3. The wires of strips connect to power supply output reversely.	Check the connecting and ensure the wires are connected correctly.
Part of LEDs don't work	1. Part of power supplies do not have output.	Check the power supply system.
	2. Part of wires of strips have malfunction.	
	3. Particular modules connected reversely.	Correct connection
Brightness of LEDs is weak or uneven	1. Overloaded power supply;	Replace it with higher power supply
	2. The power loss of power circuit is huge or the power loss of each circuit existing big difference.	Ensure working voltage of strips is within $\pm 5\%V$ of rated voltage. (1. Shorten the length of wires between the first strip and power supply or replaced with wires with bigger diameter; 2. Ensure the cascading qty of string is less than or equal to the allowed maximum cascading qty, and each strip cascading qty is well-balanced.)
	3. Exceed in qty of strips in series	Lessen the cascading qty for strip and ensure the qty for each electrical circuit is within the maximum cascading qty.
LEDs are blinking	1. Poor contacted in the joints.	Find out and tackle malfunction immediately.
	2. Failures in power supply.	Replace power supply.

Declaration:

- ⊙ If the external flexible cable of light box is damaged, please replace it by its manufacturer or its service agent or qualified person to avoid a hazard.
- ⊙ The specific installation and cautions please refer to the user manual.
- ⊙ The given data in this specification is based on our standard product. There may be existed slight difference compared with actual products.
- ⊙ All Illustrations in this specification are for reference only.
- ⊙ This product is subject to change or modify without prior notice.
- ⊙ RISHANG OPTOELECTRONICS CO., LTD reserves the right of final explanation for this specification.

<End>

Rishang Optoelectronics Co., Ltd (stock code: 002654)

Add: Block 2, Hongfa jiateli High-Tech. Park Tangtou Ave., Shiyan, Bao'an Shenzhen

Tell: +86-755-33258896 E-mail: info@ledlamps.com.cn

Website: www.ledlamps.com.cn



Website



Official Account

