

Specification

Series Name: Soyang Series

Features:

Model: M601AB



1. High brightness with luminous flux per module up to 45 lm and luminous efficacy up to 65 lm/w;
2. Maximum connectable quantity is up to 50pcs with every 1pc module cuttable for easy installation;
3. 3-year warranty with working for 12 hours every day;
4. Beautiful appearance with ID design.

Optoelectronic Parameters:

Item Model	Color Temperature/ Wavelength	Beam Angle	Luminous Flux/module	CRI	Luminous Efficacy	Rated Voltage	Rated Power
M601AB	5500-6500K	115°	45 lm/PCS	Ra≥70	65 lm/W	DC12V	0.7W/PCS

Other Parameters:

Item Model	Standard Connectable Quantity	Maximum Connectable Quantity	Weight/Module	Operating Temperature	Storage Temperature	IP Type	Warranty	Certification
M601AB	50PCS	50PCS	9.3g/PCS	-25℃~60℃	-25℃~70℃	IP65	3 years	CE/ RoHS

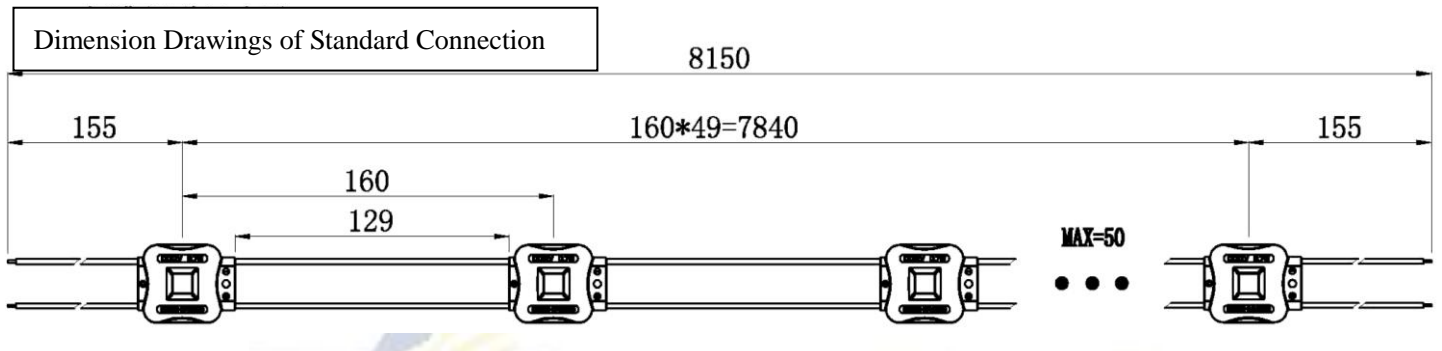
Notes:

- ① Tolerance range for luminous flux, luminous efficacy and rated power: ±10%;
- ② Tolerance range for working voltage: ±5%;
- ③ Testing environment temperature: 25±1℃

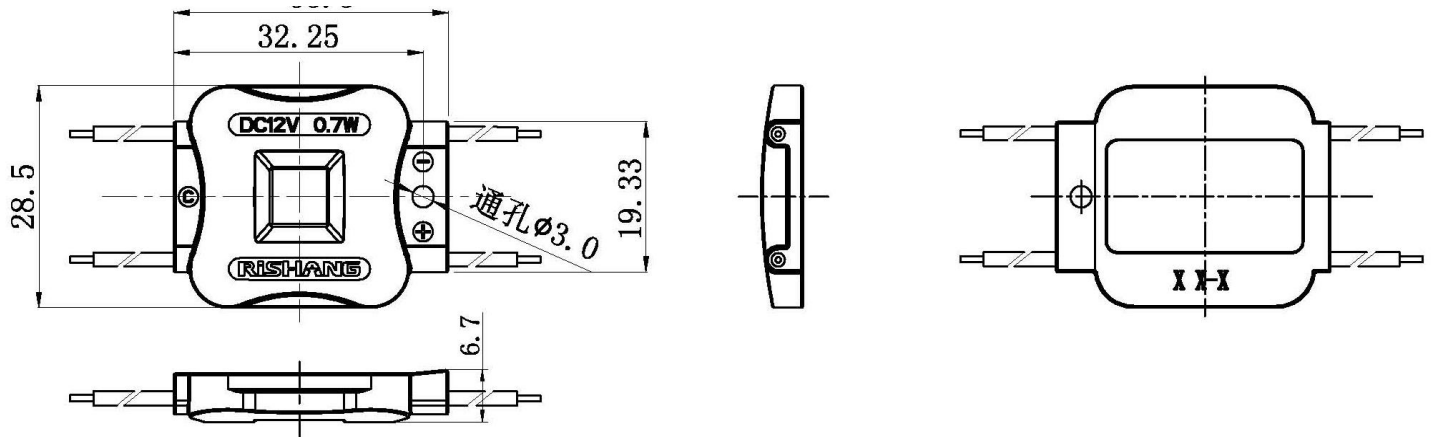
Profile Drawings:

Product Dimension: 35.5*28.5*6.7

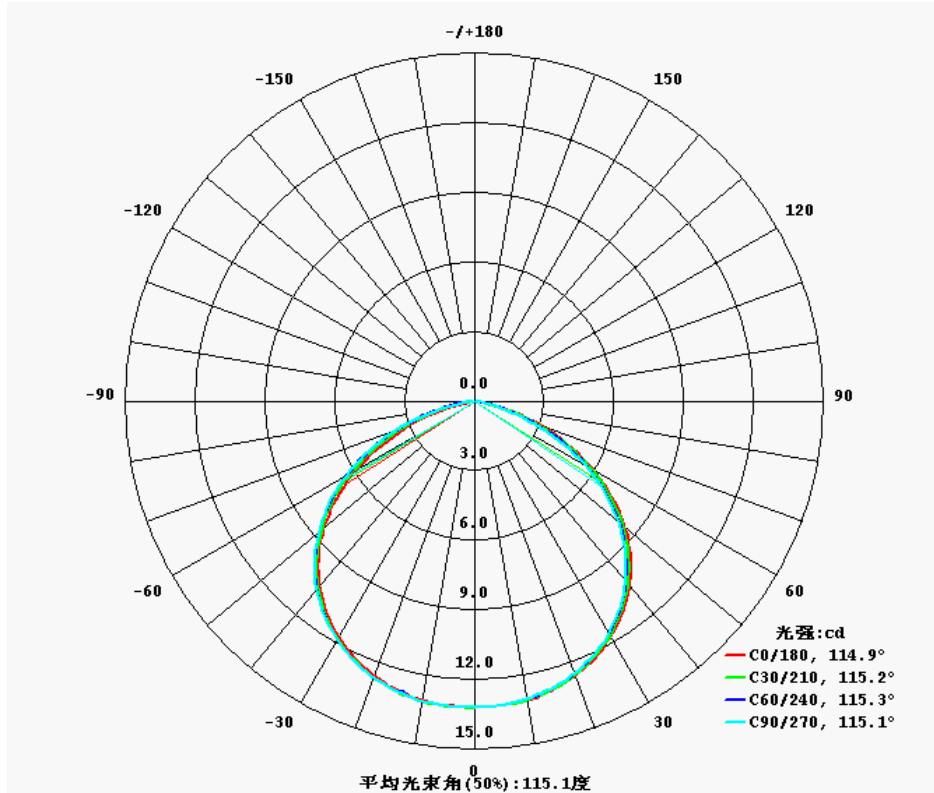
Unit: mm



Dimension Drawings of Single Module

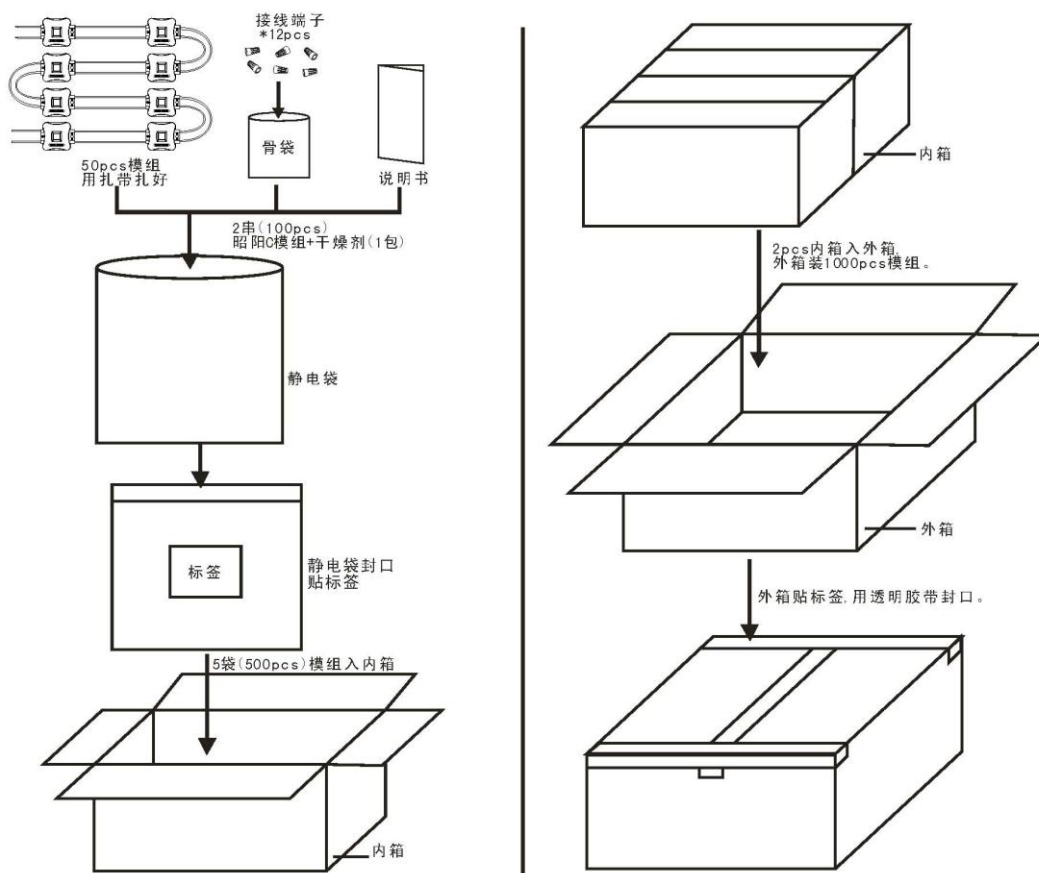


Light Distribution:



Packaging Diagram:

昭阳C模组包装示意图



Packaging:

1. Carton Dimension:568*523*252mm;
2. 50pcs modules per string, 2 strings per bag;
3. 5bags per box, 2 boxes per carton, 1000pcs modules in total;
4. Net Weight(N.W): 9.9(1±5%)Kg;
5. Gross Weight(G.W): 11.8(1±5%)Kg.

