

The power behind your lights



Model: JLV-48400K

Size: 228*62*32mm



Brief Information

48V

400W

Power Supply (C.V.)

Model JLV-48400K

Input 170~250V AC

Output 48VDC 8.33A 400W

Product Features

- Compact size, easy for installation
- High transfer efficiency
- Endurable & stable quality
- 100% full loading, 100% burn-in tested
- Overload/short circuit protection

MAIN ELECTRICAL DATA

AC Input

Input Voltage	170~250V
Input Frequency	50/60Hz
Efficiency (Typ.)	91%
Input Current	230V: 2.9A
Inrush Current	60A
Leakage Current	5mA/230VAC

DC Output

Output Voltage	48V
Rated Current	8.33A
Rated Power	400W
Ripple & Noise (Max.)	<200mVp-p
Setup, Rise Time	1500ms/230VAC
Line Regulation	1%
Load Regulation	1%

Service Environment

Working Temp.	-25°C~55°C
Working Humidity	20~95%RH
Storage Temp.	-40°C~80°C
Storage Humidity	10~95%RH

Packaging Information

Product Dimension	228*62*32mm
Products Net Weight	460G
PCS/Carton(QTY)	25 PCS
Master Carton Size	35*24.5*18cm
G. Weight/ Carton	11.8KG

Protection

Overload	Yes, cut-off mode, output voltage drops when overloaded, automatic recovery after loads drop
Short Circuit	Yes, hiccup mode, recovers automatically after fault condition is removed

Safety

Safety Standard	EN 61347-2-13
Withstand Voltage	I/P-O/P: 3.75KVAC I/P-GND: 1.5KVAC O/P-GND: 0.5KVAC
Isolation Resistance	I/P-O/P: >100M Ohms / 500VDC /25°C / 70%RH

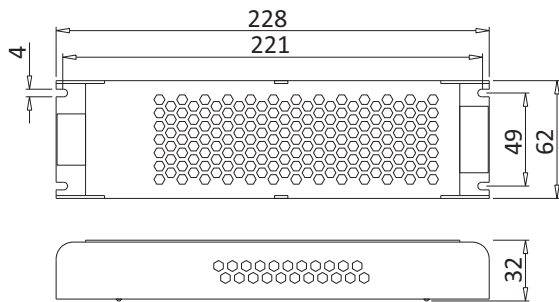
Installation Tips:

- Please identify the power supply's input and output before installation.
- Ensure correct output + & - wire connection. Power on after wire connection is done.
- To avoid voltage drop and loading capacity wasting on the output extension wire, please install the power supply to the loading as near as possible, if must use long extension wires, thicker wires and less loading wattage is required.
- The power supply to be installed at good ventilation and cooling environment.

The power behind your lights

Physical Drawing

Unit: mm



Brief Information

48V

400W

Power Supply (C.V.)

Model JLV-48400K

Input 170~250V AC

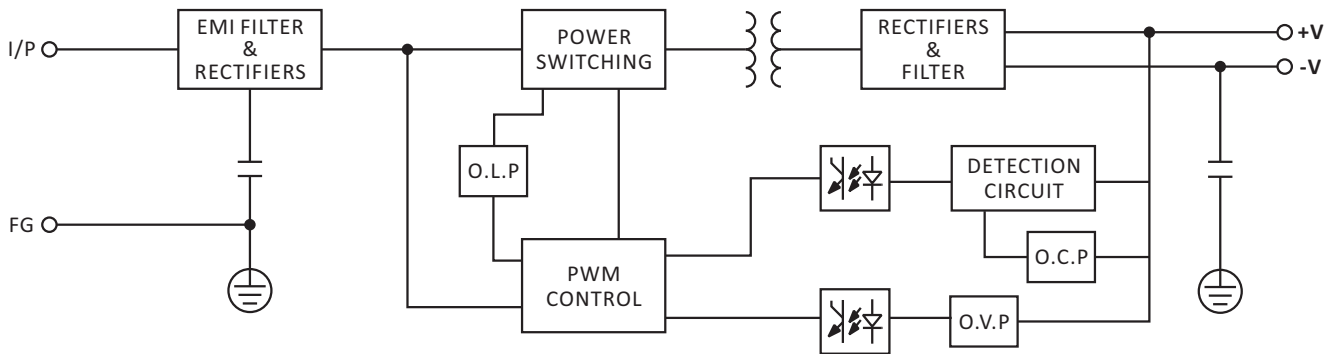
Output 48VDC 8.33A 400W

Input & Output:

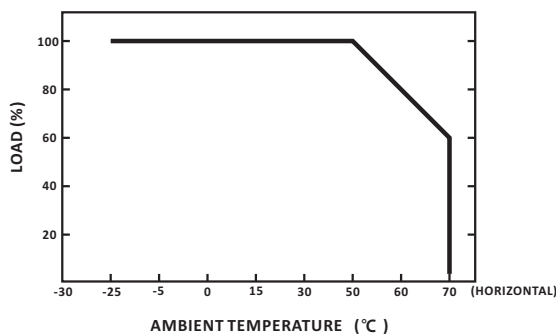
9500-7P Screw Terminals With Cover
inflamming retarding

Housing: Aluminium

Block Diagram



Derating Curve



Static Characteristics

