

The power behind your lights



Model: JLV-12100K Size: 110*78*35mm



Brief Information

Powermax™
Technology Inside

100W

Power Supply (C.V.)

Model JLV-12100K / JLV-24100K

Input 170-250V AC

Output 12VDC 8.33A 60W / 24VDC A 4.17A

Product Features

- Compact size, easy for installation
- High transfer efficiency
- Endurable & stable quality
- 100% full loading, 100% burn-in tested
- Overload/short circuit protection

MAIN ELECTRICAL DATA

AC Input

Input Voltage	170-250V
Input Frequency	50/60Hz
Efficiency (Typ.)	88%
Input Current	230V: 1.2A max.
Inrush Current	40A
Leakage Current	5mA/230VAC

DC Output

Output Voltage	12V	24V
Rated Current	8.33A	4.17A
Rated Power	100W	100W
Ripple & Noise (Max.)	<100mVp-p	<100mVp-p
Setup, Rise Time	1500ms/230VAC	1500ms/230VAC
Line Regulation	1%	1%
Load Regulation	1%	1%

Service Environment

Working Temp.	-30°C~60°C
Working Humidity	20~90%RH
Storage Temp.	-40°C~80°C
Storage Humidity	10~95%RH

Protection

Overload	Yes, cut-off mode, output shuts down if 5-30% overloaded, automatic recovery
Short Circuit	Yes, hiccup mode, recovers automatically after fault condition is removed

Safety

Safety Standard	EN 61347-2-13
Withstand Voltage	I/P-O/P: 3.75KVAC I/P-GND: 1.5KVAC O/P-GND: 0.5KVAC
Isolation Resistance	I/P-O/P: >100M Ohms / 500VDC /25°C / 70%RH

Packaging Information

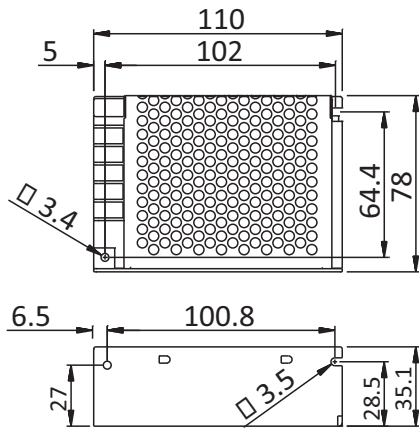
Product Dimension	110*78*35mm
Products Net Weight	270G
PCS/Carton(QTY)	50 PCS
Master Carton Size	45*26*22.5cm
G. Weight/ Carton	15KG

Installation Tips:

- Please identify the power supply's input and output before installation.
- Ensure correct output + & - wire connection. Power on after wire connection is done.
- To avoid voltage drop and loading capacity wasting on the output extension wire, please install the power supply to the loading as near as possible, if must use long extension wires, thicker wires and less loading wattage is required.
- The power supply to be installed at good ventilation and cooling environment.

The power behind your lights

Physical Drawing



Unit: mm

Brief Information

Powermax™
Technology Inside

100W

Power Supply (C.V.)

Model JLV-12100K / JLV-24100K

Input 170-250V AC

Output 12VDC 8.33A 60W / 24VDC A 4.17A

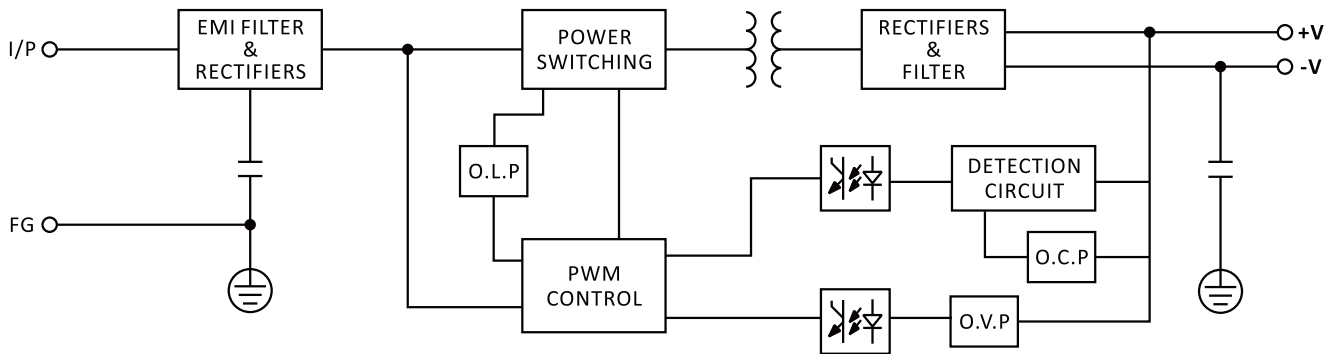
Input & Output:

HB-825-5 Screw Terminals

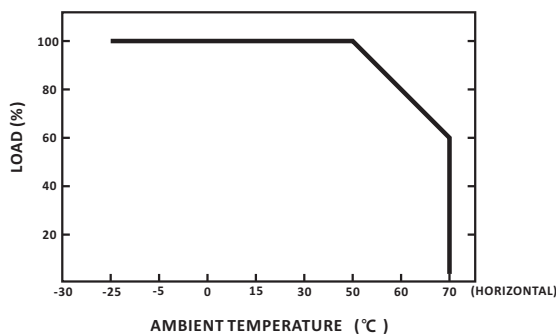
With inflaming retarding cover

Housing: Aluminium

Block Diagram



Derating Curve



Static Characteristics

