

The power behind your lights



Model: JLV-12024KA-W Size: 140x29*21mm
JLV-24024KA-W



Brief Information

Ultra Compact Series

24W

Waterproof Power Supply (C.V.)

Model JLV-12024KA-W / JLV-24024KA-W

Input 185-250V AC

Output 12VDC 2A 24W/ 24VDC 1A 24W

Product Features

- Aluminum housing
- High transfer efficiency
- Compact size
- IP67, for both indoor & outdoor
- 100% full loading, 100% burn-in tested
- Overload/short circuit protection

MAIN ELECTRICAL DATA

AC Input

Input Voltage	185-250V AC
Input Frequency	50/60Hz
Efficiency (Typ.)	85%
Input Current	230V: 0.18A max.
Inrush Current	40A
Leakage Current	5mA/230VAC

DC Output

Output Voltage	12V	:	24V
Rated Current	2A	:	1A
Rated Power	24W	:	24W
Ripple & Noise (Max.)	<400mVp-p	:	<100mVp-p
Setup, Rise Time	1500ms/230VAC	:	1500ms/230VAC
Line Regulation	1%	:	1%
Load Regulation	1%	:	1%

Service Environment

Working Temp.	-30°C~50°C
Working Humidity	20~95%RH
Storage Temp.	-40°C~80°C
Storage Humidity	10~95%RH

Protection

Overload	Yes, active when loading is over 110~120%, output voltage drops
Short Circuit	Yes, hip-cup mode recovers after fault condition is removed

Safety

Safety Standard	EN 61347-2-13
Withstand Voltage	I/P-O/P: 3000VAC/1min/<5mA
Isolation Resistance	I/P-O/P: >100M Ohms / 500VDC /25°C / 70%RH

Packaging Information

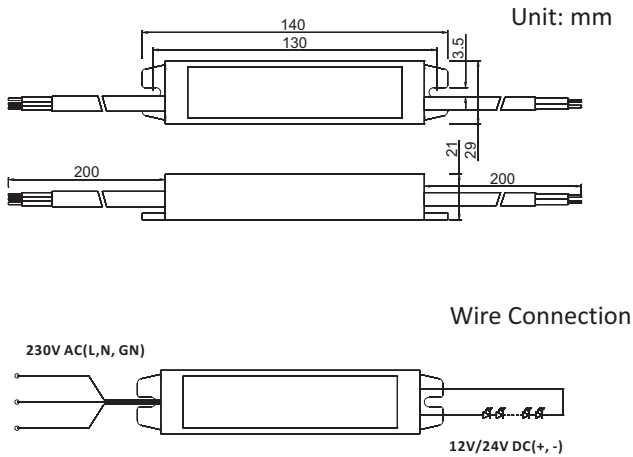
Product Dimension	140x29x21mm
Products Net Weight	145G
PCS/Carton(QTY)	100 PCS
G. Weight/ Carton	17KG
Master Carton Meas.	39x39x21cm

Installation Tips:

- Please identify the power supply's input and output before installation.
- Ensure correct output + & - wire connection. Power on after wire connection is done.
- To avoid voltage drop and loading capacity wasting on the output extension wire, please install the power supply to the loading as near as possible, if must use long extension wires, thicker wires and less loading wattage is required.
- The power supply to be installed at good ventilation and cooling environment.

The power behind your lights

Physical Drawing



Brief Information

Ultra Compact Series

24W

Waterproof Power Supply (C.V.)

Model JLV-12024PA-W / JLV-24024PA-W

Input 185-250V AC

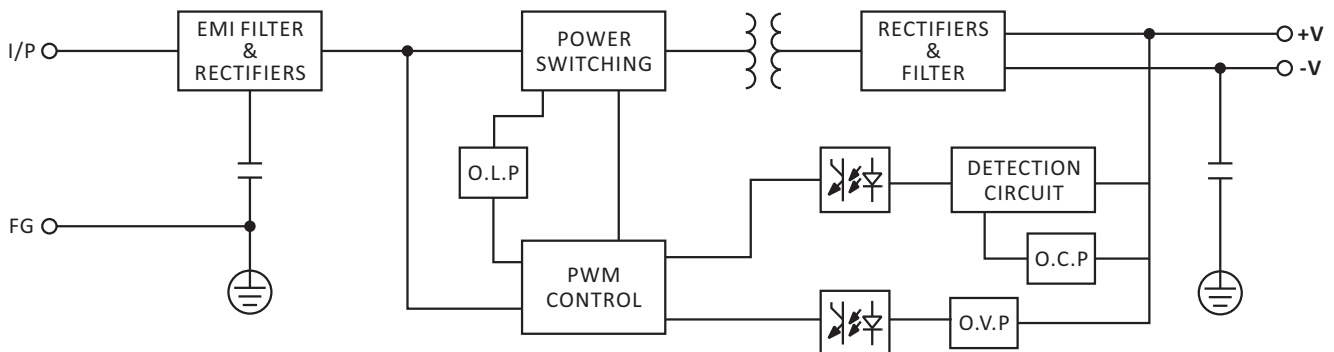
Output 12VDC 2A 24W/ 24VDC 1A 24W

Input: 3x0.75mm² wire, Brown L, Blue N
200mm length

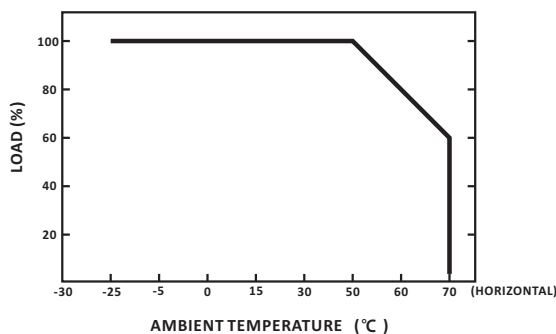
Output: 2x0.75mm² wire, Red +, Black -
200mm length

Housing: Aluminum

Block Diagram



Derating Curve



Static Characteristics

